

## PN16 Y-TYPE STRAINERS

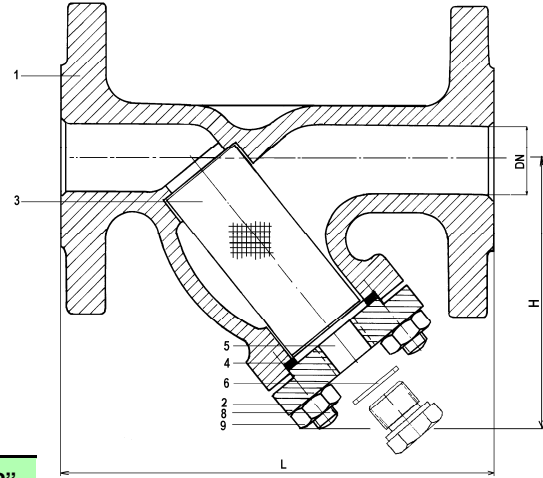
**VALFTEK®**

<b>Model</b>	: VPT
<b>Pressure Rating</b>	: PN16
<b>Connection</b>	: Flanged (ISO 7005-2, DIN EN1092-2), Screwed (DIN EN 10266-1)
<b>Max. Operating Conditions</b>	: 10 bar 300 °C (DIN2401)
<b>Application</b>	: Water, Hot water, Steam, Compressed Air, Gases

Part No.	Material
1-Body	JL 1040 (GG-25)
2-Cap	JL 1040 (GG-25)
3-Screen	AISI 304
4-Gasket	Graphite
5-Plug <sup>(*)</sup>	Steel
6-Washer	Cu
7-Screen support <sup>(*)</sup>	AISI 304
8-Stud bolt	5.6
9-Nut	5

(\*) Available for nominal sizes from DN65 to 200

(\*\*) Drain valve is adaptable.



### Screwed Connection

Nominal Size	DN	½"	¾"	1"	1¼"	1½"	2"
Face-to-face	L	100	120	135	160	185	220
Height	H	75	80	100	106	127	142
Plug size	(inch)	NA	NA	½"	½"	½"	½"
Weight	Kg	0,9	1,4	2,1	3,3	4,2	6,7

### Flanged Connection

Nominal Size	DN	15	20	25	32	40	50	65	80	100	125	150	200
Face-to-face	L	130	150	160	180	200	230	290	310	350	400	480	600
Height	H	75	80	100	106	127	142	162	203	224	278	305	382
Plug size	(inch)	NA	NA	½"	½"	½"	½"	½"	½"	½"	¾"	¾"	¾"
Weight	Kg	2,1	2,9	3,5	6,0	7,3	9,4	15,5	21,4	30,2	45,6	64	124

Pressure-Temperature Ratings	Nominal Pressure	Hydraulic body test Pressure (bar)		Operating Pressure ( bar )				
		Water	20 °C	120 °C	200 °C	250 °C	300 °C	
Model	PN							
VPT	16	24	16	16	13	11	10	

Sealing parts are asbestos free. Standard wire mesh opening is 0,8 x 0,8 mm

Different wire mesh and perforated sheets are also available on request.

Please feel free to contact us for special requirements.

**VALFTEK** Valf Teknik Tesisat Elemanları Sanayi ve Ticaret Anonim Şirketi

**Head Office  
&Factory**

: Bakırlı Mah. Suadiye Cad. No : 19 Sarımeşe – Kartepe-  
Kocaeli  
e-mail : [valftek@valftek.com.tr](mailto:valftek@valftek.com.tr)

Tel: 90 (262) 371 61 62 (PBX)

Fax:90 (262) 371 61 72

## PN 25 Y-TYPE STRAINERS

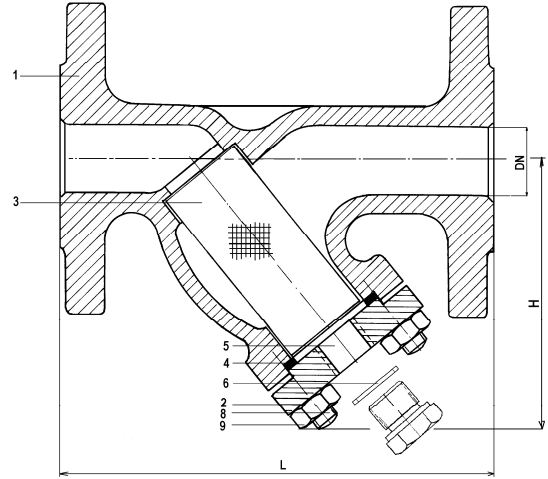
**VALFTEK®**

<b>Model</b>	: VPT
<b>Pressure Rating</b>	: PN25
<b>Connection</b>	: Flanged (ISO 7005-2, DIN EN1092-2), Screwed (DIN EN 10266-1)
<b>Max. Operating Conditions</b>	: 15 bar 350 °C (DIN2401)
<b>Application</b>	: Water, Hot water, Steam, Compressed air, Gases

Part No.	Material
1-Body	JS 1049 (GGG40.3)
2-Cap	JS 1049 (GGG40.3)
3-Screen	AISI 304
4-Gasket	Graphite
5-Plug <sup>(*)</sup>	Steel
6-Washer	Cu
7-Screen support <sup>(*)</sup>	AISI 304
8-Stud bolt	5.6
9-Nut	5

(\*) Available for nominal sizes from DN65 to 200

(\*\*) Drain valve is adaptable.



### Screwed Connection

Nominal Size	DN	½"	¾"	1"	1¼"	1½"	2"
Face-to-face dist.	L	100	120	135	160	185	220
Height	H	75	80	100	106	127	142
Plug size	(inch)	NA	NA	½"	½"	½"	½"
Weight	Kg	0,9	1,4	2,1	3,3	4,2	6,7

### Flanged Connection

Nominal Size	DN	15	20	25	32	40	50	65	80	100	125	150	200
Face-to-face dist.	L	130	150	160	180	200	230	290	310	350	400	480	600
Height	H	75	80	100	106	127	142	162	203	224	278	305	382
Plug size	(inch)	NA	NA	½"	½"	½"	½"	½"	½"	½"	¾"	¾"	¾"
Weight	Kg	2,1	2,9	4,7	6,0	7,3	9,4	15,5	21,6	31,7	53,4	65,5	132

Pressure-Temperature Ratings	Nominal Pressure	Hydraulic body test Pressure (bar)		Operating Pressure ( bar )			
		Water	120 °C	200 °C	250 °C	300 °C	350 °C
Model	PN						
VPT	25	37.5	25	20	18	16	15

Sealing parts are asbestos free. Standard wire mesh opening is 0,8 x 0,8 mm

Different wire mesh and perforated sheets are also available on request.

Please feel free to contact us for special requirements.

**VALFTEK** Valf Teknik Tesisat Elemanları Sanayi ve Ticaret Anonim Şirketi

**Head Office & Factory**

: Yalı Mah. Bağlar Cad. No:45 81430 Suadiye-İSTANBUL

e-mail : [valftek@valftek.com.tr](mailto:valftek@valftek.com.tr)

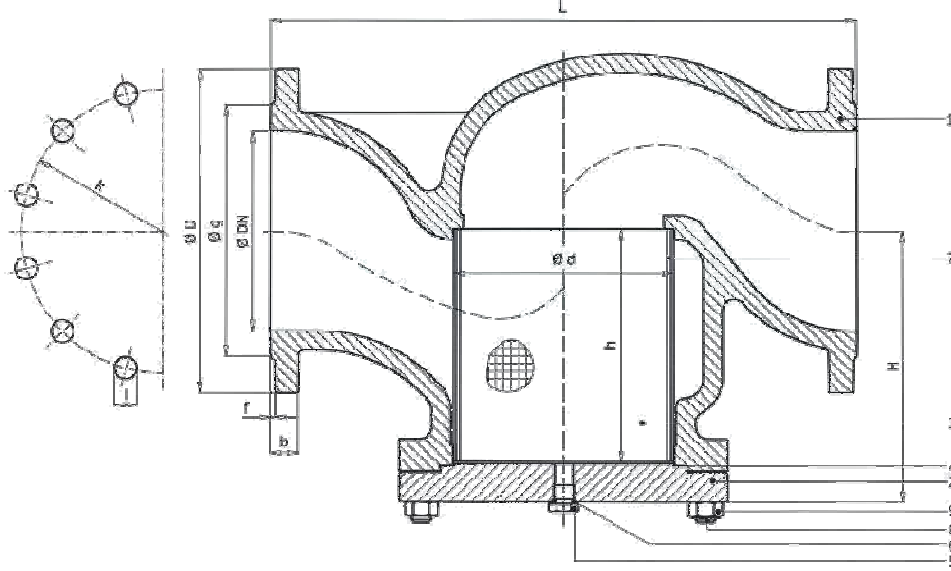
Tel: 90 (216) 473 05 32 (PBX)

Fax:90 (216) 473 05 01

# T Type Strainers

**VALFTEK®**

<b>Model</b>	: VPT
<b>Pressure rating</b>	: PN 16 – PN 25
<b>Connections</b>	: Flanged to TS ISO 7005-2, DIN EN 1092-2
<b>Max. Operating conditions</b>	: PN 16 (10 bar 300°C) , PN 25 (15 bar 350°C) (DIN 2401)
<b>Applications</b>	: Water, hot water, Steam, Compressed air, Gases



Part No / name	Material	
	PN 16	PN 25
1-Body	JL 1040	JS 1049
2-Cap	JL 1040	JS 1049
3-Filter screen	AISI 304	AISI 304
4-Gasket	Graphite	Graphite
5-Plug (**)	Carbon steel	Carbon steel
6-Gasket	Cu	Cu
7-Screen support (*)	Galvanised steel	Galvanised steel
8-Stud bolt	5.6	5.6
9-Nut	5	5



(\*) 5 x 5 mm perforated plate (\*\*) Connection 3/4"

DIMENSIONS					FLANGE DIMENSIONS													
					PN 16						PN 25							
DN	L	H	d	h	D	b	k	l	n	g	f	D	b	k	l	n	g	f
250	730	340	275	290	405	32	355	28	12	319	3	425	32	370	31	12	330	3

- Sealing parts are asbestos free. Standard wire mesh opening is 0,8 x 0,8 mm
- Different wire mesh and perforated sheets are also available on request.
- Please feel free to contact us for special requirements.

**VALFTEK** Valf Teknik Tesisat Elemanları Sanayi ve Ticaret Anonim Şirketi

**Head Office & Factory** : Bakırlı Mah. Suadiye Cad. No : 19 Sarımeşe – Kartepe- Kocaeli  
e-mail : [valftek@valftek.com.tr](mailto:valftek@valftek.com.tr)

Tel: 90 (262) 371 61 62 (PBX)  
Fax: 90 (262) 371 61 72